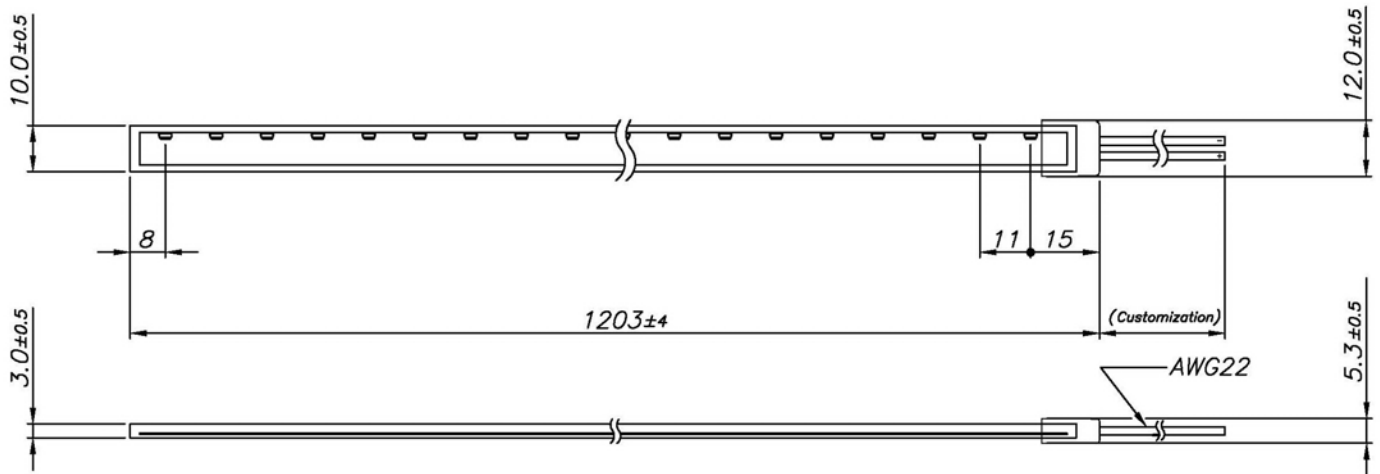


Features

Items	Description	Items	Description
Radiation angle	110°	Circuit design	6pcs/segment
Luminous intensity	160mcd/cm ² ~	LED pitch	11mm
LED quantity	108pcs 008 SMD LED	PCB materials	1oz Flexible PCB
Working voltage	DC24V	Input Wire	AWG22
Forward current	20mA/pcs	Minimum bending radius	50mm
Power consumption	8.64W	Waterproof materials	Clear PU
Operation temperature	0°C to +40°C	IP series	IP 68
Light Color	Blue	Continuous ON lifetime	15000 HRS/50%
Size(L x W x H)	1203mm x 12mm x 5.3mm	Max total length	6m

Package outline dimensions



Instruction manual

Thank you for purchasing our product, please notice the following six points Before use.

1. **Must** use the standard adaptor DC24V.
2. Remind 50mm radius is the Min. bending.
3. Don't **press or touch** surface by **sharp edge**.
4. The Max series connection could be 5 sets. Don't cut for **shortening**.
5. Don't use in the environment with corrosive fluid, it is easier make the material **weak**.
6. **Normal** operation Temperature is 0°C~40°C

